

**Specification of: RDA 21-2225-EC-SE**

**Radial roof fan with pressure control**

with swirl free horizontal directed discharge for gas medium up to app. +40 °C. Stylish casing and base frame with intake nozzle made of galvanized steel sheet Flange connection at intake acc. to DIN 24155-2 Discharge outlets protected from the weather with an aerodynamically shaped grille. High performance centrifugal impeller with backward curved blades, mounted on the rotor of a variable speed external EC-motor, protected to IP 44, totally maintenance free. Performance data in according DIN 24166 tolerance class 2 (BS 848 Class "B"). With isolator and digital pressure control unit ERA 05-0500-5E, pressure range 0 to 500 Pa. Simplified, menu-driven parameterisation, wired and ready for connection. Possible operating modes: Day-/night operation, Analog interface 0-10V, internal operation monitor, standardised measured value output. Meets the efficiency requirements of Regulation EU1253/2014 for ventilation units.

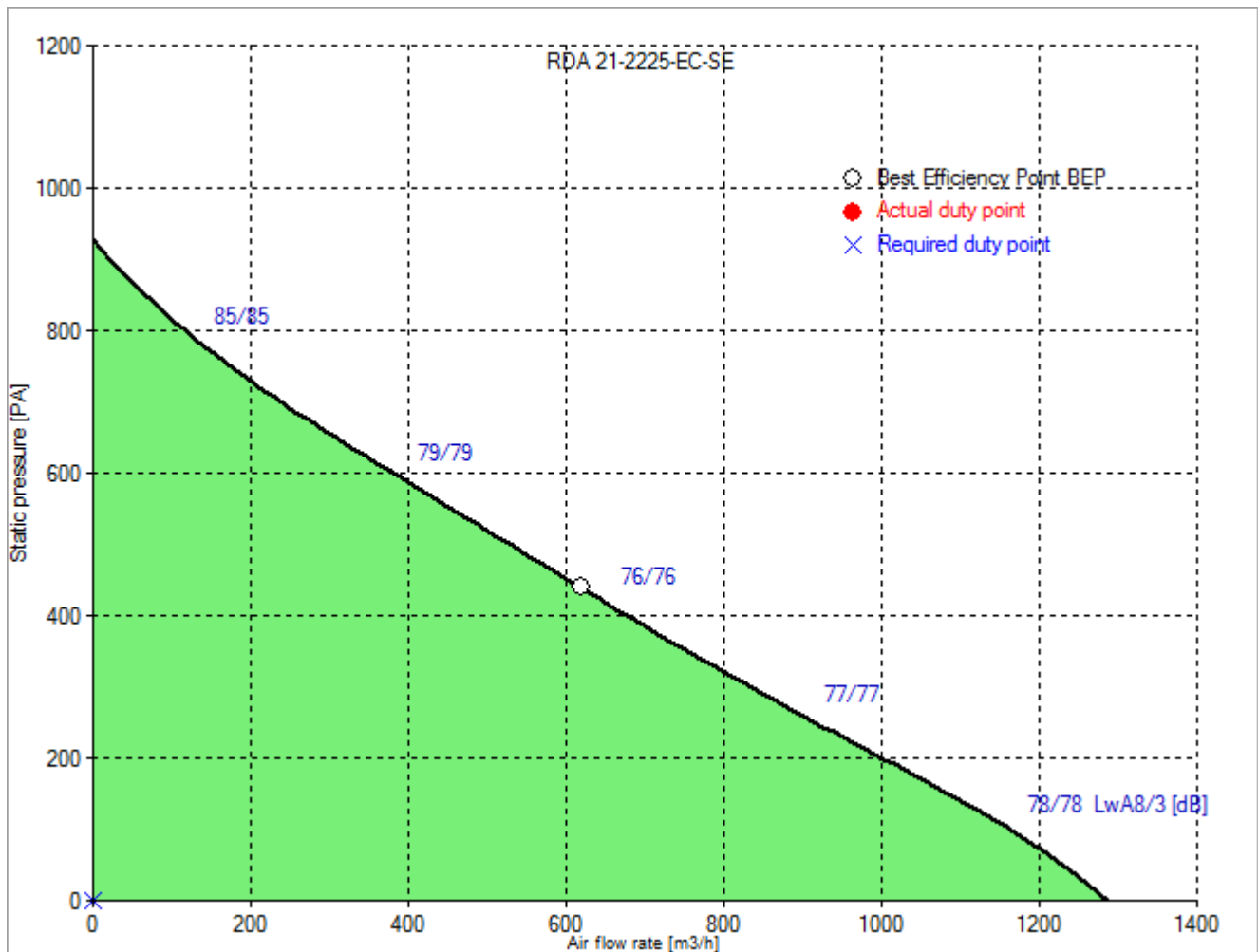


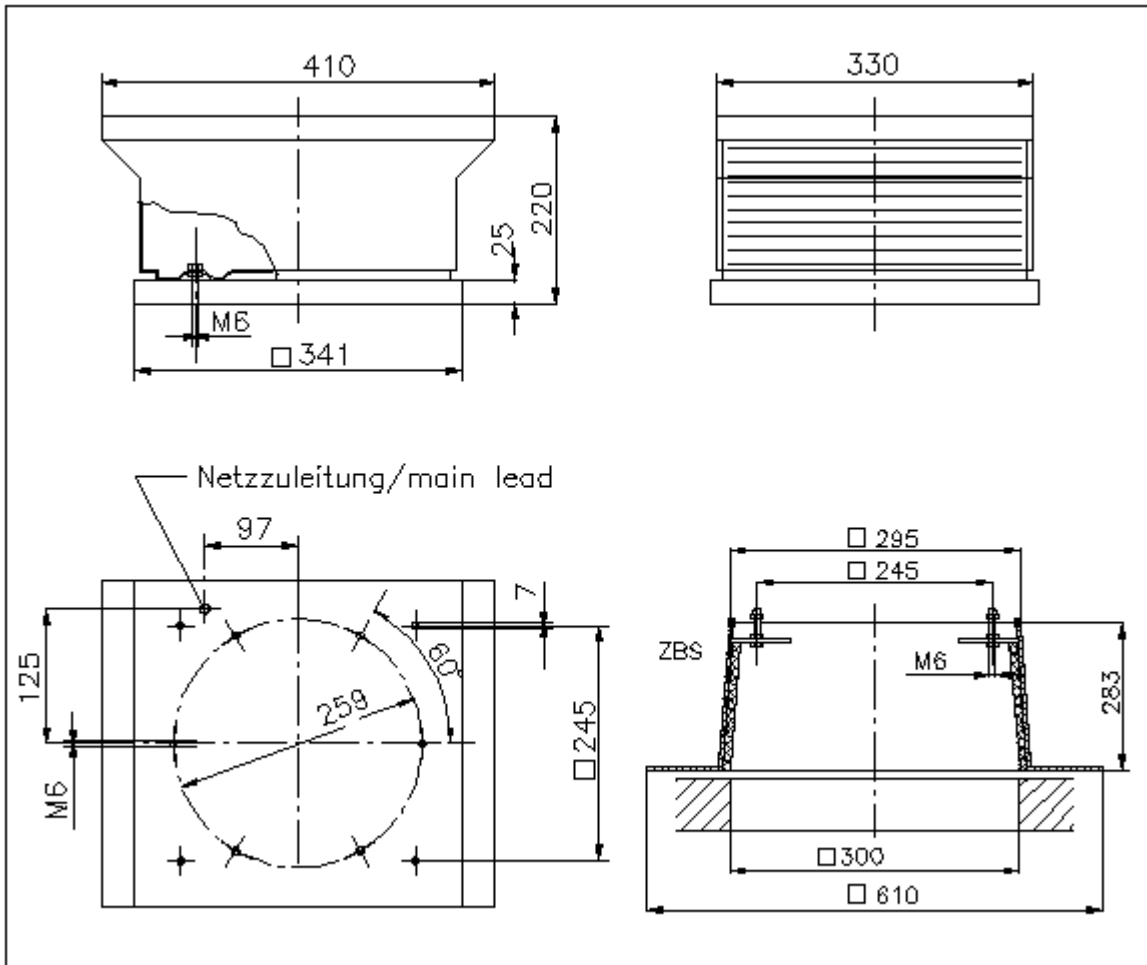
**Technical data of the fan: RDA 21-2225-EC-SE**

[fulfills the ErP requirements 2018 at BEP](#)

Description	Value Dimension
<b>Specified duty point</b>	
<b>Actual duty point</b>	
Installation acc. DIN 24163 Part 1	A
Reference density (Rho1)	1.20 kg/m <sup>3</sup>
Medium temperature (t)	20 C
Fan weight	8 kg
<small>This duty point can only be reached by using an inverter/controller for motor speed control!</small>	
<b>Rated data</b>	
Phases-Voltage-Frequency	1~230-50/60 V-Hz
Rated motor speed (n <sub>N</sub> )	2870 min <sup>-1</sup>
Rated motor current (I <sub>N</sub> )	1,6 A
<b>operational limits</b>	
Max. absorbed power (P <sub>1max</sub> )	0.19 kW
Max. fan speed (n <sub>vmax</sub> )	3470 min <sup>-1</sup>
Temperature range of conveying medium (t <sub>min</sub> ...t <sub>max</sub> )	-20...60 C

## Fan curve to RDA 21-2225-EC-SE

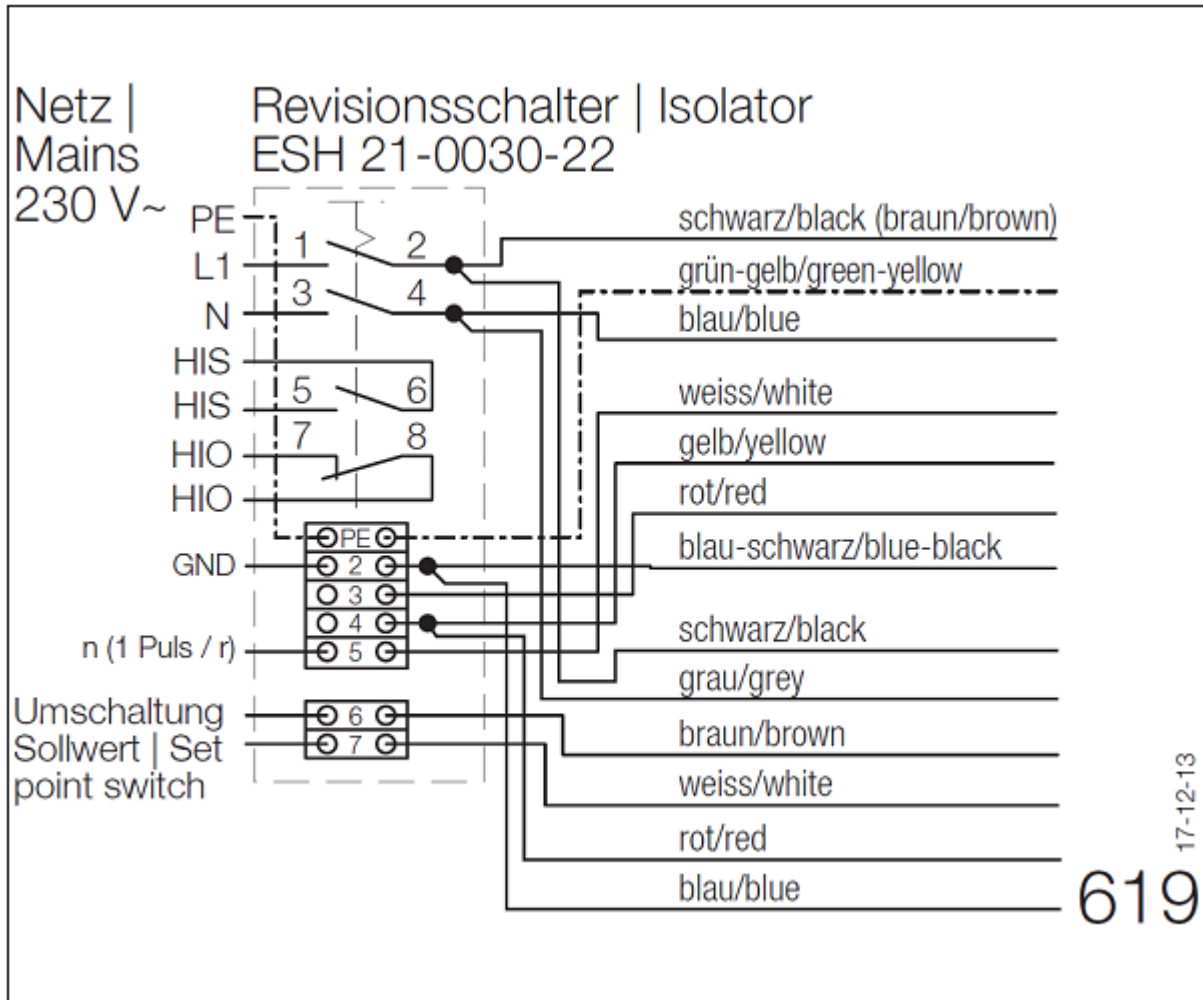




Rotation:  
Handing:

RD  
90

## Wiring diagram of the fan RDA 21-2225-EC-SE



Wiring diagram for connection to: [mains - service switch - motor](#)  
 Rotation: [RD](#)